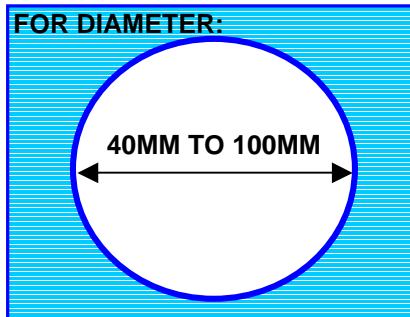


Westdeutsche Dochtfabrik

GMBH & CO. KG

WICK APPLICATION RECOMMENDATION FOR:

CONTAINER CANDLES

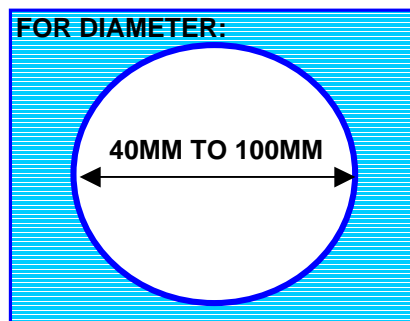


CANDLE DESCRIPTION:
CONTAINERS WITH PARAFFIN
WAX FILL

STANDARD WICKS

WICK	YIELD M/KG
TL 20/S.30 C	1,510
TL 25/S.30 C	1,180
TL 28/S.28 C	1,030
TL 31/S.28 C	890
LX-8	1,720
LX-10	1,560
LX-12	1,302
LX-14	1,104
LX-16	970
LX-18	890
LX-20	810

TIP: IN CONTAINERS FILLED WITH PARAFFIN WAX TEST THESE WICKS FIRST - EVEN IF YOUR CONTAINERS CONTAIN COLOUR AND / OR FRAGRANCE. IF THE FLAME BECOMES SMALLER AS BURNING CONTINUES - TEST THE WICKS IN THE NEXT SECTION BELOW.



CANDLE DESCRIPTION:
CONTAINER CANDLES FILLED WITH STEARIC ACID, PALM WAX OR OTHER NATURAL WAXES OR CONTAINER CANDLES FILLED WITH PARAFFIN WAX CONTAINING STRONG COLOUR AND / OR FRAGRANCE

STANDARD WICKS

WICK	YIELD M/KG
Flatwick 3x7 STP	1,500
Flatwick 3x8 STP	1,300
Flatwick 3x9 STP	1,190
Flatwick 3x10 STP	1,000
Flatwick 3x12 STP	830
Flatwick 3x14 STP	710
Flatwick 3x16 STP	630
Flatwick 3x18 STP	550

ALTERNATIVE WICKS

WICK	YIELD M/KG
ECO 0,5	1,280
ECO 1	1,040
ECO 2	823
ECO 4	750
ECO 6	660
ECO 8	590
ECO 10	580
ECO 12	528
ECO 14	460

Flatwick 3x6 NST4 ZW	1,800
Flatwick 3x8 NST4 ZW	1,300
Flatwick 3x10 NST4 ZW	1,050
Flatwick 3x12 NST4 ZW	830
Flatwick 3x14 NST4 ZW	710

TIP: IF YOU USE A BLEND OF 60% PALM WAX AND 40% PARAFFIN WAX IN YOUR CONTAINER CANDLES, YOU CAN ALSO TEST THESE ALTERNATIVES.

Wick recommendations are indicative. Detailed testing under manufacturing conditions is required before placing order.