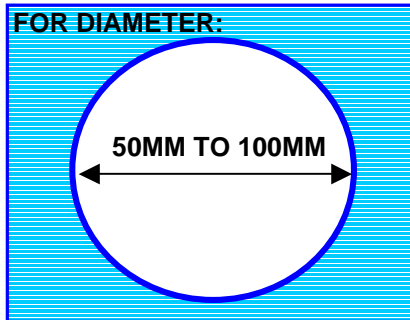


Westdeutsche Dochtfabrik

GMBH & CO. KG

WICK APPLICATION RECOMMENDATION FOR:

PILLARS



CANDLE DESCRIPTION:
PARAFFIN WAX PILLARS

STANDARD WICKS

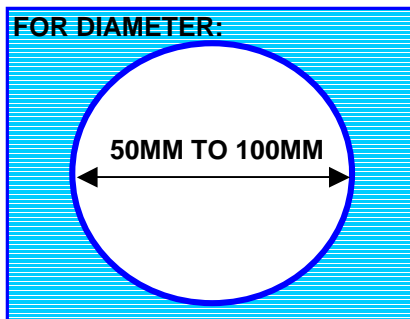
WICK	YIELD M/KG
LX-10	1,560
LX-12	1,302
LX-14	1,104
LX-16	970
LX-18	890
LX-20	810

TIP: IN PARAFFIN WAX PILLARS TEST THE LX WICKS FIRST - EVEN IF YOUR PILLARS CONTAIN COLOUR AND / OR FRAGRANCE. IF THE FLAME BECOMES SMALLER AS BURNING CONTINUES - TEST THE WICKS IN THE NEXT SECTION BELOW:

ALTERNATIVE WICKS

WICK	YIELD M/KG
HZL 24/C	1,305
HZL 28/C	1,070
HZL 34/C	859
HZL 36/C	865
HZL 38/C	800

TIP: THE HZL WICKS USUALLY PERFORM BETTER IN NON-FRAGRANCED PILLARS: THIS IS A MATTER OF TESTING HOWEVER.



CANDLE DESCRIPTION:
PILLARS MADE OF STEARIC ACID, PALM WAX OR OTHER NATURAL WAXES.
OR
PARAFFIN WAX PILLARS CONTAINING STRONG COLOUR AND / OR FRAGRANCE

STANDARD WICKS

WICK	YIELD M/KG
Flatwick 3x10 STP	1,000
Flatwick 3x12 STP	830
Flatwick 3x14 STP	710
Flatwick 3x16 STP	630
Flatwick 3x18 STP	550
Flatwick 3x20 STP	500
Flatwick 3x22 STP	440
Flatwick 3x24 STP	410

ALTERNATIVE WICKS

WICK	YIELD M/KG
LX-12 NST2	1,302
LX-14 NST2	1,104
LX-16 NST2	970
LX-18 NST2	890
LX-20 NST2	810
V 8	1,060
V 10	865
V 12	695

Flatwick 3x10 NST4 ZW	1,050
Flatwick 3x12 NST4 ZW	830
Flatwick 3x14 NST4 ZW	710

TIP: IF YOU USE A BLEND OF 60% PALM WAX AND 40% PARAFFIN WAX IN YOUR PILLARS, YOU CAN ALSO TEST THESE ALTERNATIVES: